

Angular Contact Ball Bearings

Bearing No. : **NACHI 7232DF**

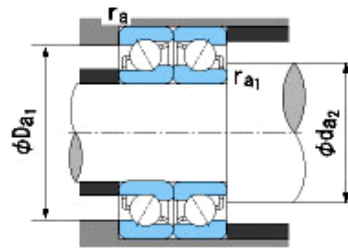
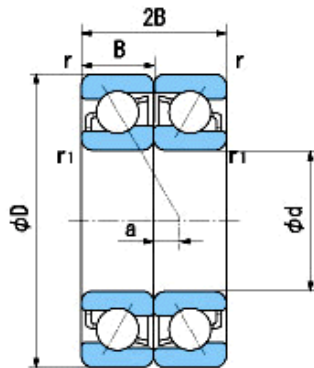
■ Bearing Type

■ Clearance

■ Tolerance Class

Dimensions

d = 160⁰_{-0.025}
 D = 290⁰_{-0.035}
 B = 48⁰_{0.000}
 r = 3~5
 (Radial Direction)
 r = 3~8
 (Axial Direction)
 r1 = 1.1~2.5
 (Radial Direction)
 r1 = 1.1~4
 (Axial Direction)
 a = 41



Dimensions

da1(min) = 174
 da2(min) = 167
 Da1(max) = 276
 Da2(max) = 283
 ra(max) = 2.5
 ra1(max) = 1
 Mass = 27.4 kg

Basic Dynamic Load Rating Cr : **425,000** N
 Basic Static Load Rating Cor : **615,000** N
 Limiting Speed ;
 Grease Lubrication : **1,500** min⁻¹
 Oil Lubrication : **2,000** min⁻¹

	INNER RING	OUTER RING
O.D.Surface Runout with Side :		-
Axial Runout with Bore :	-	-
Axial Runout with Raceway :	-	-
Width Variation :	0.030	0.030
Radial Runout :	0.030	0.060